

MENTO

Contents

	Page
Range introduction, product concept	90
6, 8, 11 Raster open single units, 4 Raster single units	91
6, 8, 11 Raster single units	92
2 Raster wall panel consoles, lower sections, wall units	93
4, 6, 9 Raster open top units, wall shelves	94
1, 2, 4, 6, 8 Raster open wall units	95
2, 4, 6, 8 Raster wall units	96
Accessories	97
4 Raster sideboards, accessories for sideboards	98
Column system/flat screen support, hülsta-HOMEOFFICE, ERGOMO	99
Lamps, Tip-Tronic, remote control unit	100-101
Coffee tables, dining rooms	101
Special combinations	102-104
Special products	325-329
Tip-Tronic, radio remote control unit (for switching lights on and off easily)	330-333
Cable apertures	334-335

MENTO is a modern living room range which appeals to the onlooker by way of its clarity and simplicity in design and its wide range of possible combinations involving different surface versions and front sections.

Low TV units placed either close to the floor or only a few centimetres distant can be enhanced by adding closed wall units in various formats or open bookcase units, where the distances between the shelves match the height raster interval of the main unit sections.

Small storage units and low cabinets are also available for planning your own living room combinations.

What hallmarks the special character of **MENTO**, however, is the way one can appreciate the overall effect of the surfaces - a mixture of individual compartments of fixed raster sizes for the open bookcases and structured compartment sections of specially designed fronts. Some of the units can be enhanced by including horizontal so-called "relief planed" surfaces. These highlight the direction of grain of the wood and can even be experienced by touch.

- Single units and open single units in various heights
- Wall panel consoles, lower sections and sideboards
- Top units in various heights
- Wall units and open wall units in various heights, wall shelves
- Innovative assortment of lamps and comprehensive range of accessories
- Coffee tables

Important notes: Fittings for wall mounting are provided with nearly all the units which should be used for your own safety and for constructional reasons. The assembly materials supplied by hülsta (plugs, screws) are only suitable for fitting components on to concrete and/or solid walls. Ideally, one should inquire about the soundness of the walls with regard to their suitability for mounting units when orders are placed and be sure to check them later before mounting any units. If any surfaces are not suitable for mounting units (e.g. plastered or lighter wall materials), one should use another method better suited to the material on site.

- Max. load of wooden and glass shelves (up to 70.0 cm width) as well as drawers: 25 kg
- Max. load of wooden and glass shelves (from 70.0 cm width): 15 kg
- **hülsta-SoftFlow:** all drawers on hidden roller bearings with auto pull-in feature with brake, pull out fully
- **hülsta-MagicClose:** all wooden hinge-doors with door hinge brake

List of versions

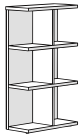
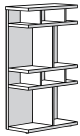
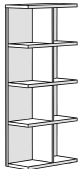
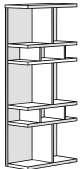
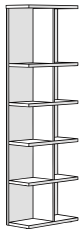
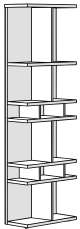
Model no.	Version
192 193 197	White lacquer Structured beech Walnut

In MENTO colour combinations within individual units are possible. In this case please state the model number clearly and separately in the order!

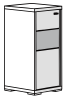


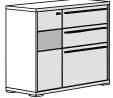
6, 8 and 11 Raster open single units

Accessories see pages 97-101!

MENTO

<p>6 Raster open single units 122.5 cm high 32.0 cm deep</p> <p>with 2.9 cm thick cover and plinth shelf as well as 1.5 cm high adjustable legs</p> <p>The position of the wooden shelves and centre partitions cannot be altered.</p> <p>Max. load: 40 kg</p>	<p>open</p>  <p>70 cm wide</p>		<p>open</p>  <p>70 cm wide</p>	
	<p>6700</p> <p>-</p>		<p>6710</p> <p>-</p>	
<p>8 Raster open single units 160.9 cm high 32.0 cm deep</p> <p>with 2.9 cm thick cover and plinth shelf as well as 1.5 cm high adjustable legs</p> <p>The position of the wooden shelves and centre partitions cannot be altered.</p> <p>Max. load: 40 kg</p>	<p>open</p>  <p>70 cm wide</p>		<p>open</p>  <p>70 cm wide</p>	
	<p>8700</p> <p>-</p>		<p>8710</p> <p>-</p>	
<p>11 Raster open single units 218.5 cm high 32.0 cm deep</p> <p>with 2.9 cm thick cover and plinth shelf as well as 1.5 cm high adjustable legs</p> <p>The position of the wooden shelves and centre partitions cannot be altered.</p> <p>Max. load: 40 kg</p>	<p>open</p>  <p>70 cm wide</p>		<p>open</p>  <p>70 cm wide</p>	
	<p>11700</p> <p>-</p>		<p>11710</p> <p>-</p>	

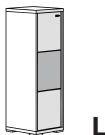
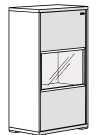
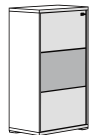
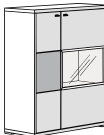
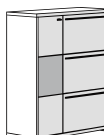
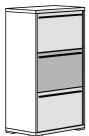
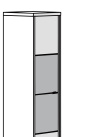
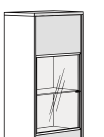
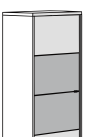
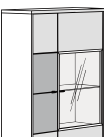
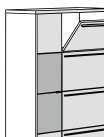
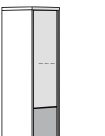

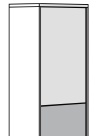

4 Raster single units

<p>4 Raster single units 84.1 cm high 42.0 cm deep</p> <p>with 2.9 cm thick cover and plinth shelf as well as 1.5 cm high adjustable legs</p> <p>Wooden fronts: Dark grey shading in the drawings = front in relief-style planing; also available with an alternative plain front (same price). Please state clearly in the order!</p> <p>Interior fittings: Fitted wooden shelves are included ex-works behind wooden doors at intervals of 2 Raster.</p>	<p>1 wooden door</p>  <p>39.1 cm wide</p>	<p>1 wooden door</p>  <p>70 cm wide</p>	<p>3 drawers</p>  <p>70 cm wide</p>	<p>left 1 wooden door, right 3 drawers</p>  <p>105 cm wide</p>	
	<p>43031 L 43032 R</p> <p>-</p>	<p>47031 L 47032 R</p> <p>-</p>	<p>4701</p> <p>-</p>	<p>as illustrated</p> <p>41021</p> <p>-</p>	<p>vice versa</p> <p>41022</p> <p>-</p>

6, 8 and 11 Raster single units

Accessories see pages 97-101!

List of versions: see page 90

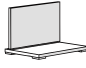
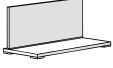

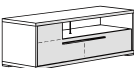
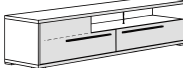
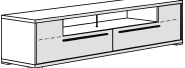
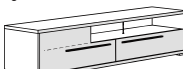
<p>6 Raster single units 122.5 cm high 42.0 cm deep</p> <p>with 2.9 cm thick cover and plinth shelf as well as 1.5 cm high adjustable legs</p> <p>Wooden fronts: Dark grey shading in the drawings = front in relief-style planing; also available with an alternative plain front (same price). Please state clearly in the order!</p> <p>Glass doors: Glass doors with aluminium frame, panels of stained glass.</p> <p>Interior fittings: Fitted wooden shelves are included ex-works behind wooden doors at intervals of 2 Raster.</p>	1 wooden door	1 wooden/glass door	1 wooden door	left 1 wooden door, right 1 wooden/glass door	left 1 wooden door, right 3 drawers	
						
	39.1 cm wide	70 cm wide	70 cm wide	105 cm wide	105 cm wide	
	63031 L 63032 R	67061 L 67062 R	67031 L 67032 R	61121	61122	61021
			as illustrated	vice versa	as illustrated	vice versa
			-	-	-	-
		3 drawers				
						
		70 cm wide				
			6701			
			-			
<p>8 Raster single units 160.9 cm high 42.0 cm deep</p> <p>with 2.9 cm thick cover and plinth shelf as well as 1.5 cm high adjustable legs</p> <p>Wooden fronts: Dark grey shading in the drawings = front in relief-style planing; also available with an alternative plain front (same price). Please state clearly in the order!</p> <p>Glass doors: Glass doors with aluminium frame, panels of stained glass.</p> <p>Interior fittings: Fitted wooden shelves are included ex-works behind wooden doors at intervals of 2 Raster, and fitted glass shelves are included behind glass doors</p>	1 wooden door	1 wooden/glass door	1 wooden door	left 1 wooden door, right 1 wooden/glass door	left 1 wooden door, right 1 wooden flap und 3 drawers	
						
	39.1 cm wide	70 cm wide	70 cm wide	105 cm wide	105 cm wide	
	83031 L 83032 R	87061 L 87062 R	87031 L 87032 R	81121	81122	81021
			as illustrated	vice versa	as illustrated	vice versa
			-	-	-	-
Please note: The middle groove in the dark-grey shaded section is left out with plain fronts!						
<p>11 Raster single units 218.5 cm high 42.0 cm deep</p> <p>with 2.9 cm thick cover and plinth shelf as well as 1.5 cm high adjustable legs</p> <p>Wooden fronts: Dark grey shading in the drawings = front in relief-style planing; also available with an alternative plain front (same price). Please state clearly in the order!</p> <p>Glass doors: Glass doors with aluminium frame, panels of stained glass.</p> <p>Interior fittings: Fitted wooden shelves are included ex-works behind wooden doors at intervals of 2 Raster, and fitted glass shelves are included behind glass doors</p>	1 wooden door	1 wooden/glass door	1 wooden door	left 1 wooden door, right 1 wooden/glass door		
						
	39.1 cm wide	70 cm wide	70 cm wide	105 cm wide		
	113031 L 113032 R	990102 L 990202 R	117031 L 117032 R	111121	111122	
			as illustrated	vice versa		
			-	-		
Please note: The middle groove in the dark-grey shaded section is left out with plain fronts!						



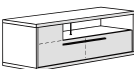
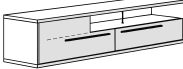
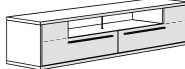
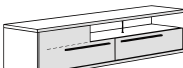
2 Raster wall panel consoles / lower sections

Accessories see pages 97-101!

MENTO

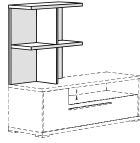
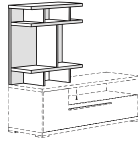
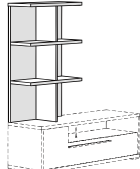
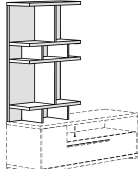
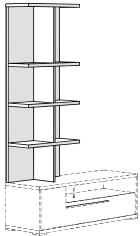
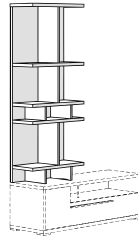
<p>2 Raster wall panel consoles 45.7 cm high 47.0 cm deep</p> <p>with 2.9 cm thick rear wall panel, 2.9 cm high plinth shelf as well as 1.5 cm high adjustable legs</p> <p>Max. load: 60 kg</p>	<p>Wall panel console</p>  <p>70 cm wide</p>		<p>Wall panel console</p>  <p>105 cm wide</p>		<p>Wall panel console</p>  <p>140 cm wide</p>	
	<p>2702</p> <p>-</p>		<p>2102</p> <p>-</p>		<p>2142</p> <p>-</p>	
<p>2 Raster lower sections 45.7 cm high 47.0 cm deep</p> <p>with 2.9 cm thick cover and plinth shelf as well as 1.5 cm high adjustable legs</p> <p>Max. load: 60 kg</p>	<p>1 drawer with split drawer frame; open compartment with metal support</p> <p>Usable dimensions open compartment: H: 16.3 cm W: left: 32.2 cm; right: 67.3 cm D: 41.7 cm</p>  <p>140 cm wide</p>		<p>2 drawers; open compartment with metal support</p> <p>Usable dimensions open compartment: H: 16.3 cm W: left and right: 67.9 cm D: 41.7 cm</p>  <p>210 cm wide</p>		<p>2 drawers; open compartment with metal support</p> <p>Usable dimensions open compartment: H: 16.3 cm W: left and right: 67.5 cm D: 41.7 cm</p>  <p>210 cm wide</p>	
	<p>as illustrated</p> <p>214011</p> <p>-</p>		<p>vice versa</p> <p>214012</p> <p>-</p>		<p>as illustrated</p> <p>221011</p> <p>-</p>	
	<p>vice versa</p> <p>214012</p> <p>-</p>		<p>vice versa</p> <p>221012</p> <p>-</p>		<p>22101</p> <p>-</p>	
				<p>left 1 wooden flap; right 1 drawer; open compartment with metal support</p> <p>Usable dimensions open compartment: H: 16.3 cm W: left and right: 67.9 cm D: 41.7 cm</p>  <p>210 cm wide</p>		
				<p>as illustrated</p> <p>221081</p> <p>-</p>		
				<p>vice versa</p> <p>221082</p> <p>-</p>		

2 Raster wall units




<p>2 Raster wall units 44.2 cm high 47.0 cm deep</p> <p>with 2.9 cm thick top and bottom cover shelf</p> <p>Max. load: 60 kg</p>	<p>1 drawer with split drawer frame; open compartment with metal support</p> <p>Usable dimensions open compartment: H: 16.3 cm W: left: 32.2 cm; right: 67.3 cm D: 41.7 cm</p>  <p>140 cm wide</p>		<p>2 drawers; open compartment with metal support</p> <p>Usable dimensions open compartment: H: 16.3 cm W: left and right: 67.9 cm D: 41.7 cm</p>  <p>210 cm wide</p>		<p>2 drawers; open compartment with metal support</p> <p>Usable dimensions open compartment: H: 16.3 cm W: left and right: 67.5 cm D: 41.7 cm</p>  <p>210 cm wide</p>	
	<p>as illustrated</p> <p>214111</p> <p>-</p>		<p>vice versa</p> <p>214112</p> <p>-</p>		<p>as illustrated</p> <p>221111</p> <p>-</p>	
	<p>vice versa</p> <p>214112</p> <p>-</p>		<p>vice versa</p> <p>221112</p> <p>-</p>		<p>22111</p> <p>-</p>	
				<p>left 1 wooden flap; right 1 drawer; open compartment with metal support</p> <p>Usable dimensions open compartment: H: 16.3 cm W: left and right: 67.9 cm D: 41.7 cm</p>  <p>210 cm wide</p>		
				<p>as illustrated</p> <p>221181</p> <p>-</p>		
				<p>vice versa</p> <p>221182</p> <p>-</p>		

4, 6 and 9 Raster open top units




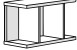
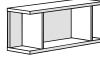
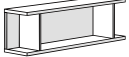
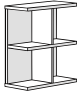
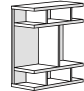
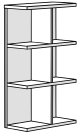
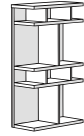
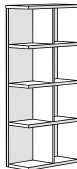
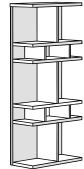
List of versions: see page 90

<p>4 Raster open top units 76.8 cm high 32.0 cm deep</p> <p>with 2.9 cm thick cover shelf</p> <p>fitted as top unit on top of 2 Raster lower sections</p> <p>The position of the wooden shelves and centre partitions cannot be altered.</p> <p>Wall fitting necessary</p>	<p>open</p>  <p>70 cm wide</p>	<p>open</p>  <p>70 cm wide</p>
	<p>470</p> <p>-</p>	<p>471</p> <p>-</p>
<p>6 Raster open top units 115.2 cm high 32.0 cm deep</p> <p>with 2.9 cm thick cover shelf</p> <p>fitted as top unit on top of 2 Raster lower sections</p> <p>The position of the wooden shelves and centre partitions cannot be altered.</p> <p>Wall fitting necessary</p>	<p>open</p>  <p>70 cm wide</p>	<p>open</p>  <p>70 cm wide</p>
	<p>670</p> <p>-</p>	<p>671</p> <p>-</p>
<p>9 Raster open top units 172.8 cm high 32.0 cm deep</p> <p>with 2.9 cm thick cover shelf</p> <p>fitted as top unit on top of 2 Raster lower sections</p> <p>The position of the wooden shelves and centre partitions cannot be altered.</p> <p>Wall fitting necessary</p>	<p>open</p>  <p>70 cm wide</p>	<p>open</p>  <p>70 cm wide</p>
	<p>970</p> <p>-</p>	<p>971</p> <p>-</p>

Wall shelves



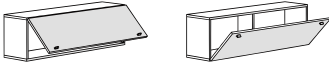


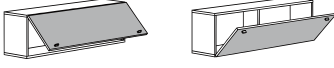
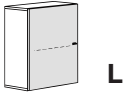
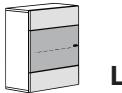
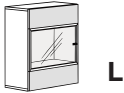
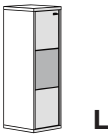
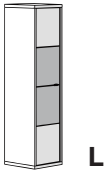
<p>Wall shelves 2.9 cm thick; 25.0 cm deep</p> <p>for fitting anywhere on walls; invisible, adjustable special bracket</p> <p>Max. load: 15 kg</p>	 <p>70 cm wide</p>	 <p>105 cm wide</p>	 <p>140 cm wide</p>
	<p>7025</p> <p>-</p>	<p>1025</p> <p>-</p>	<p>1425</p> <p>-</p>






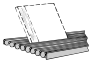

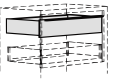

Open wall units

<p>1 Raster open wall units 19.2 cm high 32.0 cm deep</p> <p>for fitting anywhere on walls</p> <p>Max. load: 15 kg</p> <p>The position of the centre partitions cannot be altered.</p>	open	open	open
	 70 cm wide	 105 cm wide	 140 cm wide
	1750	1150	1160
	-	-	-
<p>2 Raster open wall units 41.3 cm high 32.0 cm deep</p> <p>for fitting anywhere on walls</p> <p>Max. load: 15 kg</p> <p>The position of the centre partitions cannot be altered.</p>	open	open	open
	 70 cm wide	 105 cm wide	 140 cm wide
	2750	2150	2160
	-	-	-
<p>4 Raster open wall units 79.7 cm high 32.0 cm deep</p> <p>for fitting anywhere on walls</p> <p>Max. load: 40 kg</p> <p>The position of the wooden shelves and centre partitions cannot be altered.</p>	open	open	
	 70 cm wide	 70 cm wide	
	4750	4760	
	-	-	
<p>6 Raster open wall units 121.0 cm high 32.0 cm deep</p> <p>for fitting anywhere on walls</p> <p>Max. load: 40 kg</p> <p>The position of the wooden shelves and centre partitions cannot be altered.</p>	open	open	
	 70 cm wide	 70 cm wide	
	6750	6760	
	-	-	
<p>8 Raster open wall units 159.4 cm high 32.0 cm deep</p> <p>for fitting anywhere on walls</p> <p>Max. load: 40 kg</p> <p>The position of the wooden shelves and centre partitions cannot be altered.</p>	open	open	
	 70 cm wide	 70 cm wide	
	8750	8760	
	-	-	

Wall units



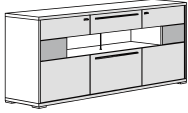

List of versions: see page 90

<p>2 Raster wall units 41.3 cm high 34.0 cm deep</p> <p>for fitting anywhere on walls</p> <p>Max. load: 30 kg</p>	1 wooden flap		1 wooden flap with centre partition		1 wooden flap with centre partition	
						
	70 cm wide		105 cm wide		140 cm wide	
	Flap hinge at top	Flap hinge at bottom	Flap hinge at top	Flap hinge at bottom	Flap hinge at top	Flap hinge at bottom
	2709	2708	21009	21008	21409	21408
	-	-	-	-	-	-
<p>2 Raster wall units with wooden front in relief planing 41.3 cm high 34.0 cm deep</p> <p>for fitting anywhere on walls</p> <p>Max. load: 30 kg</p>	1 wooden flap		1 wooden flap with centre partition		1 wooden flap with centre partition	
						
	70 cm wide		105 cm wide		140 cm wide	
	Flap hinge at top	Flap hinge at bottom	Flap hinge at top	Flap hinge at bottom	Flap hinge at top	Flap hinge at bottom
	2719	2718	21019	21018	21419	21418
	-	-	-	-	-	-
<p>4 Raster wall units 79.7 cm high 34.0 cm deep</p> <p>Glass doors: Glass doors with aluminium frame, panels of stained glass.</p> <p>for fitting anywhere on walls</p> <p>Max. load: 40 kg</p>	1 wooden door; 1 fitted wooden shelf		1 wooden door; middle section with wooden front in relief planing; 1 fitted wooden shelf		1 wooden/glass door; 2 fitted wooden shelves	
						
	70 cm wide		70 cm wide		70 cm wide	
	47531 L 47532 R		47631 L 47632 R		47561 L 47562 R	
	-		-		-	
<p>6 Raster wall unit 121.0 cm high 42.0 cm deep</p> <p>Wooden fronts: Dark grey shading in the drawings = front in relief-style planing; also available with an alternative plain front (same price). Please state clearly in the order!</p> <p>Interior fittings: Fitted wooden shelves are included ex-works behind wooden doors at intervals of 2 Raster.</p> <p>for fitting anywhere on walls</p> <p>Max. load: 40 kg</p>	1 wooden door					
						
	39.1 cm wide					
	63631 L 63632 R					
	-					
<p>8 Raster wall unit 159.4 cm high 42.0 cm deep</p> <p>Wooden fronts: Dark grey shading in the drawings = front in relief-style planing; also available with an alternative plain front (same price). Please state clearly in the order!</p> <p>Interior fittings: Fitted wooden shelves are included ex-works behind wooden doors at intervals of 2 Raster.</p> <p>for fitting anywhere on walls</p> <p>Max. load: 40 kg</p>	1 wooden door		<div style="border: 1px solid black; padding: 5px; text-align: center;"> <p>Please note: The middle groove in the dark-grey shaded section is left out with plain fronts!</p> </div>			
						
	39.1 cm wide					
	83631 L 83632 R					
	-					




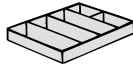
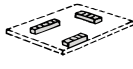
 <p>Fitted wooden shelf 2.0 cm thick; 29.8 cm or 36.6 cm deep</p>	<p>Fitted wooden shelf for 39.1 cm wide single units; 36.6 cm deep</p>	<p>035</p>	<p>-</p>
	<p>Fitted wooden shelf for slim compartment of 105 cm wide single units; 36.6 cm deep</p>	<p>033</p>	<p>-</p>
	<p>Fitted wooden shelf for 70 cm wide single units and wide compartment of 105 cm wide single units; 36.6 cm deep</p>	<p>073</p>	<p>-</p>
	<p>Fitted wooden shelf for 70 cm wide wall units; 29.8 cm deep</p>	<p>173</p>	<p>-</p>
 <p>Fitted glass shelf (clear glass) 0.8 cm thick; 36.6 cm deep</p>	<p>Fitted glass shelf for 70 cm wide single units and wide com- partment of 105 cm wide single units</p>	<p>373</p>	<p>-</p>
 <p>Tableau with felt stretch cover; for drawers of single units, inside drawers for single units and lower sections Cutlery holders must be included for fitting in the tableau.</p>	<p>for 1 drawer of 70 cm wide single units and wide compart- ment of 105 cm wide single units</p>	<p>for 1/2 drawer of 140 cm wide lower sections and 2 Raster wall units</p>	<p>for 1 drawer of 210 cm wide lower sections and 2 Raster wall units</p>
	<p>278</p>	<p>214</p>	<p>210</p>
	<p>-</p>	<p>-</p>	<p>-</p>
 <p>Cutlery holder with felt stretch cover, necessary for fitting in cutlery box and tableau Set 1: for 60 pcs of cutlery Set 2: for 17 utensils</p>	<p>Set 1: for standard cutlery like spoons, forks, knives, etc.</p>	<p>Set 2: for ladles, cake forks, cake servers, etc.</p>	
	<p>118</p>	<p>119</p>	
	<p>-</p>	<p>-</p>	<p>-</p>
 <p>CD holder for drawers Please state exactly in your order and sketch for which drawer of the lower sections and 2 Raster wall units the CD holder is intended.</p>	<p>for 1/2 drawer of 140 cm wide lower sections and 2 Raster wall units; for 75 CD's</p>	<p>for 1 drawer of 210 cm wide lower sections and 2 Raster wall units; for 105 CD's</p>	
	<p>1427</p>	<p>1027</p>	
	<p>-</p>	<p>-</p>	<p>-</p>
 <p>DVD holder for 2 Raster drawers of lower sections and 2 Raster wall units Please state exactly in your order and sketch for which 2 Raster drawer of the lower sections and 2 Raster wall units the DVD holder is intended.</p>	<p>for 1/2 drawer of 140 cm wide lower sections and 2 Raster wall units; for 33 DVD's</p>	<p>for 1 drawer of 210 cm wide lower sections and 2 Raster wall units; for 55 DVD's</p>	
	<p>1428</p>	<p>1028</p>	
	<p>-</p>	<p>-</p>	<p>-</p>
 <p>Cable aperture for lower sections Silver-coloured; Ø 8.0 cm; It is possible to make a cable aperture in the top cover shelf of the lower sections (at a surcharge). The cable aperture is possi- ble at the rear of the cover shelf in a central position behind the metal support (see sketch). Distance of centre of aperture from rear rim of the unit: 9.0 cm</p>		<p>Cable aperture</p>	
		<p>K1</p>	
		<p>-</p>	
 <p>Inside drawer fitted in 2 Raster drawers of 70 cm wide single units and in wide compartment of 105 cm wide single units. Please state clearly in the order where the inside drawers are to be fitted!</p>		<p>Inside drawer</p>	
		<p>144</p>	
		<p>-</p>	
 <p>Box drawer 13.1 cm high 16.3 cm wide 27.9 cm deep Can be fitted anywhere; recommended in 1 Raster open com- partments of open single units, top units and wall units as well as in coffee tables</p>		<p>Box drawer</p>	
		<p>45</p>	
		<p>-</p>	

4 Raster sideboards


List of versions: see page 90

<p>4 Raster sideboards 84.1 cm high 47.0 cm deep</p> <p>with 2.9 cm thick cover and plinth shelf as well as 1.5 cm high adjustable legs</p> <p>Wooden fronts: Dark grey shading in the drawings = front in relief-style planing; also available with an alternative plain front (same price). Please state clearly in the order!</p>	<p>left and right 1 wooden door, each with 1 fitted wooden shelf; centre 3 drawers</p>  <p>210 cm wide</p> 	<p>left and right 1 cut-out wooden door; centre top and bottom 1 drawer; with full-length open compartment with metal support</p>  <p>210 cm wide</p>  <p>Usable dimensions open compartment: H: 19.7 cm W: left and right: 67.2 cm D: 41.7 cm</p>
	<p>990103</p> <p>-</p>	<p>990101</p> <p>-</p>

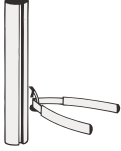

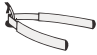
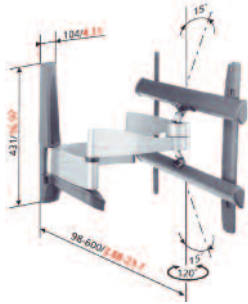

Accessories for sideboards

 <p>Fitted wooden shelf 2.0 cm thick; 41.5 cm deep</p>	<p>074</p> <p>-</p>	 <p>Cutlery box Solid beech with felt base and lid for drawers Cutlery holders must be included for fitting in the cutlery box.</p>	40 x 6 x 33.5 cm	60 x 6 x 33.5 cm	
			<p>114</p> <p>-</p>	<p>120</p> <p>-</p>	
 <p>Tableau with felt stretch cover; for drawers Cutlery holders must be included for fitting in the tableau.</p>	<p>172</p> <p>-</p>	 <p>Cutlery drawer inset Solid beech for drawers (Example: quadruple drawer)</p>	Single drawer 10 x 6 x 33.5 cm	Twin drawer 20 x 6 x 33.5 cm	Quad. drawer 40 x 6 x 33.5 cm
			<p>111</p> <p>-</p>	<p>112</p> <p>-</p>	<p>113</p> <p>-</p>
		 <p>Cutlery holder with felt stretch cover, necessary for fitting in cutlery box and tableau</p> <p>Set 1: for 60 pcs of cutlery Set 2: for 17 utensils</p>	Set 1: for standard cutlery like spoons, forks, knives, etc.	Set 2: for ladles, cake forks, cake servers, etc.	
			<p>118</p> <p>-</p>	<p>119</p> <p>-</p>	

Top glass section for TV

<p>Top glass section for TV 14.2 cm high; 40.0 cm deep</p> <p>Glass surface, 1.0 cm thick, of stained glass</p> <p>Fitted on lower sections</p> <p>Max. load: 50 kg</p>	 93.0 cm wide	
	1918 -	


Column system/flat screen support

<p>Column system for fitting anywhere on wall; consisting of a column of metal and of audio/DVD support(s), for fitting anywhere on column</p> 		<p>Example of use:</p>	
<p>Columns of metal; for fitting anywhere on wall above top rim of plinth slat; cables can be laid and hidden at any height; audio/DVD supports can be fitted anywhere on the column.</p> 	<p>Audio/DVD support of metal: can be positioned at any height on the column and be adjusted to match audio/DVD players of any size; with rubber padding at front to prevent units from slipping; max. load: 10 kg</p> 	<p>Flat screen support, ideally adaptable The flat screen support can be adjusted 3-dimensionally. It is suitable for 77-108 cm (31"-42") wide flat screens. Max. load: 45 kg. Go to www.vogels.com to check if your flat screen can be fitted on this flat screen support. Enter the name EFW 6345. After a few steps you can see if your flat screen TV is compatible with the flat screen support.</p> 	<p>LED flat screen support THIN, ideally adaptable NEW The LED flat screen support can be adjusted 3-dimensionally. It is suitable for 81-132 cm (32"-52") wide LED flat screens with a maximum depth of 4.0 cm. Max. load: 25 kg. Go to www.vogels.com to check if your flat screen can be fitted on this flat screen support. Enter the name THIN 345. After a few steps you can see if your flat screen TV is compatible with the flat screen support.</p> 
36.8 cm high	64.1 cm high	for fitting anywhere on wall	for fitting anywhere on wall
9201	9202	9203	9204
-	-	-	-

hülsta-HOMEOFFICE

hülsta-HOMEOFFICE


The design of **hülsta-HOMEOFFICE** catches the eye and it is just this simplicity in design which makes the range so radiant. The hülsta-HOMEOFFICE desk collection is characterised by straightforwardness, simplicity, innovation and its focus on practical features. You will find this desk collection in the separate chapter "**hülsta-HOMEOFFICE**".



ERGOMO


ERGOMO
Home office and office chairs

The **ERGOMO home office and office chairs** are so elegant and straightforward in design and form that it is possible for them to be used both in private living rooms and in public offices. You will find this home office and office chair collection in the separate chapter "**ERGOMO**".

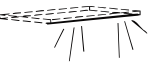


Integrated power LED spotlamps

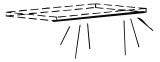
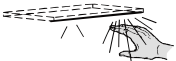
List of versions: see page 90

 <p>Integrated power LED spotlamps for fitting behind glass doors of 70 cm wide single units, behind glass doors of wide compartment of 105 cm wide single units, under closed wall units and in wall shelves; 3 W</p>	<p>7921</p> <p>-</p>
--	-----------------------------

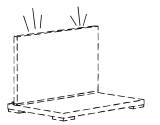
LED light strip for fitting behind glass doors

 <p>LED light strip for fitting behind glass doors of 70 cm wide single units and wide compartment of 105 cm wide single units; 12 V, 2.3 W</p>	<p>3701</p> <p>-</p>
---	-----------------------------

LED light strip for lower sections, 2 Raster wall units and 4 Raster sideboards

 <p>LED light strip for fitting in open compartments of lower sections, 2 Raster wall units and 4 Raster sideboards; 12 V, 3.7/5.1 W</p>	<p>for open compartment of 140 cm wide lower sections and 2 Raster wall units; 3.7 W</p> <p style="text-align: center;">3141</p> <p style="text-align: center;">-</p>	<p>for open compartment of 210 cm wide lower sections, 2 Raster wall units and 4 Raster sideboards; 5.1 W</p> <p style="text-align: center;">3211</p> <p style="text-align: center;">-</p>
 <p>LED light strip with motion-controlled lamp for fitting in open compartments of lower sections, 2 Raster wall units and 4 Raster sideboards; 12 V, 9/12 W</p> <p>When the light strip is switched on, the amount of light in the open compartment increases by moving one's hand.</p> <p>Please note: When fitting the LED light strip with motion- controlled lamp the usable inside depth of the unit is reduced by 6.8 cm.</p>	<p>for open compartment of 140 cm wide lower sections and 2 Raster wall units; 9 W</p> <p style="text-align: center;">3142</p> <p style="text-align: center;">-</p>	<p>for open compartment of 210 cm wide lower sections, 2 Raster wall units and 4 Raster sideboards; 12 W</p> <p style="text-align: center;">3212</p> <p style="text-align: center;">-</p>

LED light strip for wall panel consoles

 <p>LED light strip for fitting behind rear wall panel of 2 Raster wall panel consoles; 12 V, 2.3/3.7/5.1 W</p>	<p>for 70 cm width; 2.3 W</p> <p style="text-align: center;">3701</p> <p style="text-align: center;">-</p>	<p>for 105 cm width; 3.7 W</p> <p style="text-align: center;">3141</p> <p style="text-align: center;">-</p>	<p>for 140 cm width; 5.1 W</p> <p style="text-align: center;">3211</p> <p style="text-align: center;">-</p>
---	---	--	--

Tip-Tronic ! Attention: Please be sure to follow the information given on pages 330-333! !

MENTO

The lamps are normally operated by a standard external footswitch. As an alternative to the standard switch we can also provide a **Tip-Tronic** switch which is charged extra. By touching the Tip-Tronic sensor (aluminium colour, Ø 1.5 cm) it is possible to operate all the **MENTO** lamps (230 V, up to 250 W). The Tip-Tronic unit is fitted in fitted shelves or cover shelves. The standard position is 6 cm from the right-hand edge of the given unit, in 11 Raster single units it is fitted at the side approx. 115 cm high and 1.0 cm from the rear rim, and in wall units it is fitted 2.0 cm from the top rim and 1.0 cm from the rear rim of the unit. Alternatively, the Tip-Tronic can be fitted at the side of all single units 1.0 cm from the rear rim of the relevant unit. Please mark the exact position of the Tip-Tronic sensor exactly in the sketch! The footswitch is omitted when a Tip-Tronic unit is included.



7619

Radio remote control unit ! Attention: Please be sure to follow the information given on pages 330-333! !

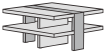
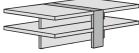
A 4-channel radio remote control unit (= transmitter), which is charged extra, is also available as an alternative to the standard switch. Several lights (up to a total load of max. 400 W per channel) can be switched on and off with each of the 4 channels. It is also possible to switch all channels on and off simultaneously with the "all on" or "all off" buttons. Up to 4 receivers can be operated with one radio remote control unit (see examples on pages 330-333). **Transmitters and receivers must be ordered separately.** The footswitch is omitted when the radio remote control unit is employed.

Price per transmitter
Price per receiver

type 2006 -
type 2007 -



Coffee tables CT 130

36.0 cm high Top shelf in matching version Centre, surrounding fillet in structured beech or walnut Cross-shaped substructure and bottom shelf in standard white lacquer	 70 x 70 cm		 120 x 70 cm	
	Middle fillet in structured beech	Middle fillet in walnut	Middle fillet in structured beech	Middle fillet in walnut
	1371	1378	13121	13128
	-	-	-	-

DINING ROOMS Dining tables and chairs

DINING ROOMS

hülsta offers a room concept to meet all requirements in comfort, beauty of form and attractiveness with a comprehensive collection of dining room tables and chairs.

The **dining tables** in a wide variety of sizes (with and without pullout function) in all wood surface versions and in contemporary designs, as well as the **dining chairs** that can be combined individually using different armrests, comfort features, high-grade cover fabrics (leather, textiles) and metal surfaces can all be found – together with the dining room furniture offered by hülsta – in the separate **DINING ROOMS** price list.



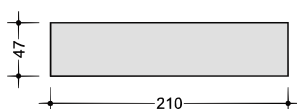
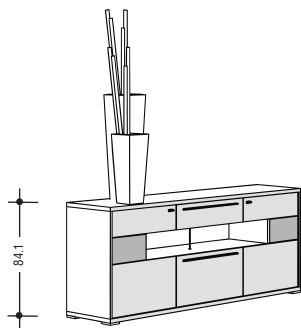
Coffee tables

Coffee tables

hülsta offers a comprehensive **collection of coffee tables**, which not only match the hülsta furniture ranges perfectly but can also be combined with other products that are available on the market. You will find these coffee tables in a number of designs, sizes and versions in the separate **"Coffee tables"** chapter.



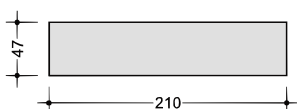
Special combinations are arrangements that are reduced in price. This price advantage is only available when the arrangement is ordered exactly as described. The special combinations can be enhanced by including accessories (lamps, fittings, etc). These are charged extra.



Special combination

Wooden fronts:
Dark grey shading in the drawings = front in **relief-style planing**; also available with an alternative **plain front** (same price). Please state clearly in the order!

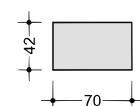
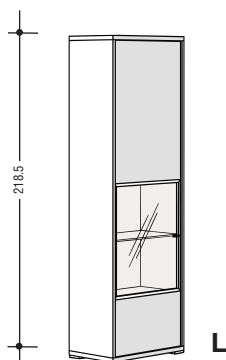
	990101
	-



Special combination

Wooden fronts:
Dark grey shading in the drawings = front in **relief-style planing**; also available with an alternative **plain front** (same price). Please state clearly in the order!

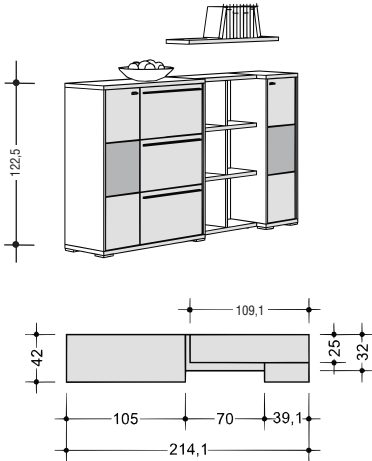
	990103
	-



Special combination

	990102 L 990202 R
	-

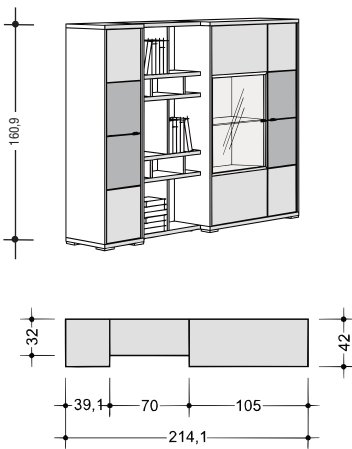
Special combinations are arrangements that are reduced in price. This price advantage is only available when the arrangement is ordered exactly as described. The special combinations can be enhanced by including accessories (lamps, fittings, etc). These are charged extra.



Special combination

Wooden fronts: Dark grey shading in the drawings = front in **relief-style planing**; also available with an alternative **plain front** (same price). Please state clearly in the order!

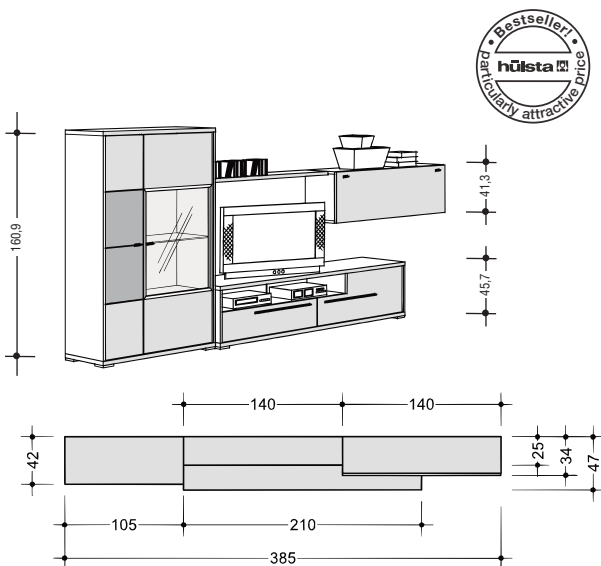
	as illustrated	vice versa
	990104	995104
	-	-



Special combination

Wooden fronts: Dark grey shading in the drawings = front in **relief-style planing**; also available with an alternative **plain front** (same price). Please state clearly in the order!

	as illustrated	vice versa
	990106	995106
	-	-



Important note:

The 2 Raster lower section of this special combination is supplied in a standard version with 2 drawers. However, it is also possible to order this special combination optionally with 1 drawer left and 1 flap unit right (same price). If a drawer left and a flap unit right is required, please add **-1** to the unit type number, e.g. **990108-1**.

Please state this clearly in your order!

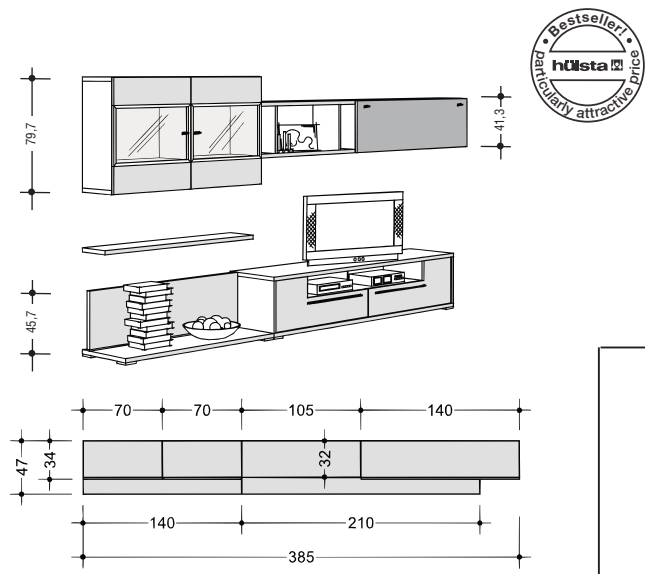
Special combination

- 2 Raster wall unit with wooden front
- 2 Raster lower section with drawers

Wooden fronts: Dark grey shading in the drawings = front in **relief-style planing**; also available with an alternative **plain front** (same price). Please state clearly in the order!

	as illustrated	vice versa
	990108	995108
	-	-

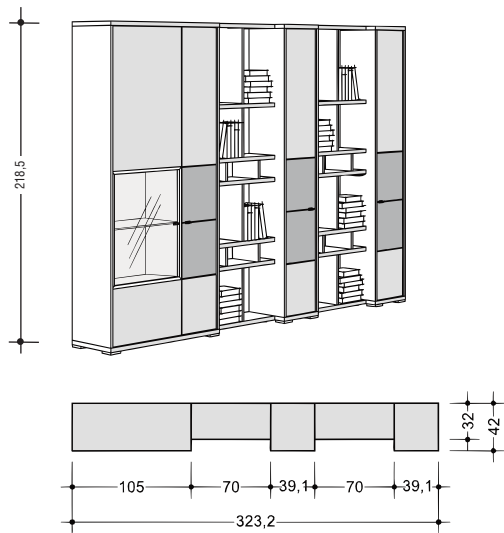
Special combinations are arrangements that are reduced in price. This price advantage is only available when the arrangement is ordered exactly as described. The special combinations can be enhanced by including accessories (lamps, fittings, etc). These are charged extra.



Special combination

- 2 Raster wall unit with wooden front in relief planing or with plain wooden front
- 2 Raster lower section with drawer

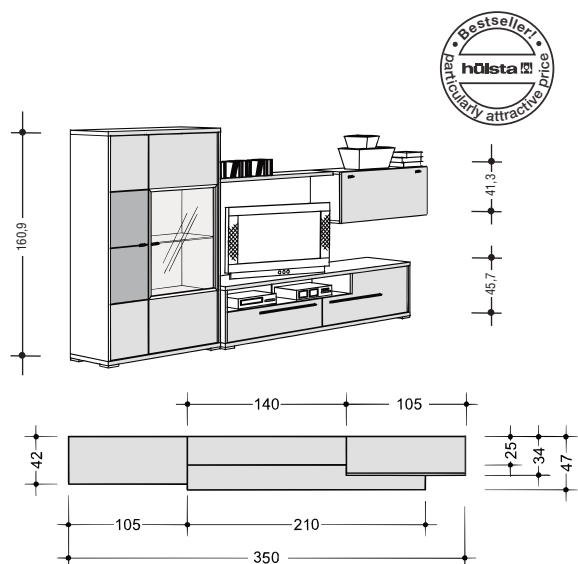
	2 Raster wall unit with wooden front in relief planing		2 Raster wall unit with plain wooden front	
	as illustrated	vice versa	as illustrated	vice versa
	990110	995110	990210	995210
	-	-	-	-



Special combination

Wooden fronts: Dark grey shading in the drawings = front in **relief-style planing**; also available with an alternative **plain front** (same price). Please state clearly in the order!

	as illustrated	vice versa
	990112	995112
	-	-



Important note:

The 2 Raster lower section of this special combination is supplied in a standard version with 2 drawers. However, it is also possible to order this special combination optionally with 1 drawer left and 1 flap unit right (same price). If a drawer left and a flap unit right is required, please add **-1** to the unit type number, e.g. **990113-1**.

Please state this clearly in your order!

Special combination

- 2 Raster wall unit with wooden front
- 2 Raster lower section with drawers

	as illustrated	vice versa
	990113	995113
	-	-

Wooden fronts: Dark grey shading in the drawings = front in **relief-style planing**; also available with an alternative **plain front** (same price). Please state clearly in the order!

